



SANME



PCX 系列 高效锤式细碎机

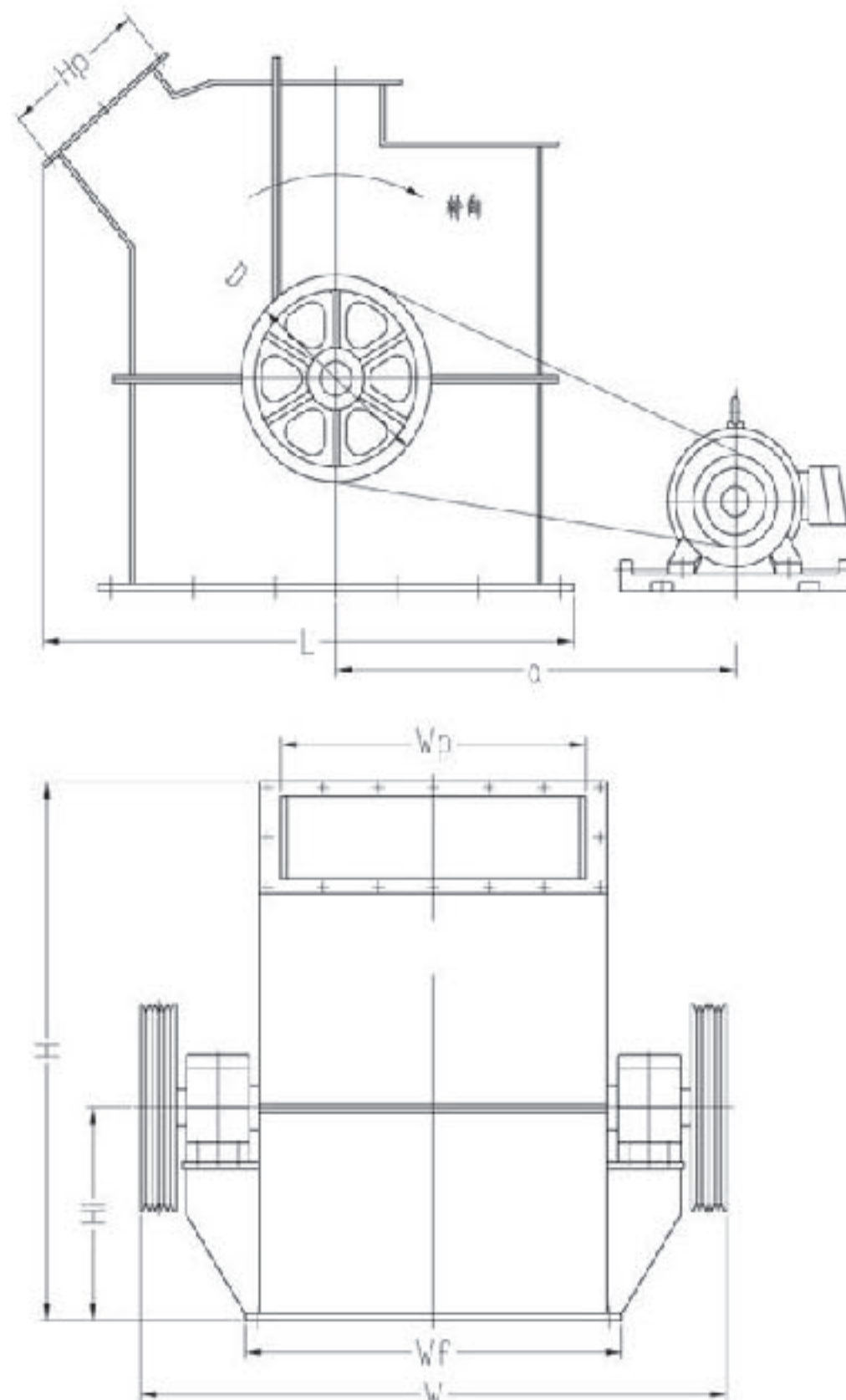
*PCX Series High Efficient
Hammer Fine Crusher*



上海山美重型矿山机械有限公司
SHANGHAI SANME MINING MACHINERY CO., LTD.
(中德合资控股)
(Sino-German JV Holding)

PCX系列高效锤式细碎机

PCX Series High Efficient Hammer Fine Crusher



PCX高效细碎机，亦称反击高效细碎机，适用于破碎抗压强度不超过200MPa的石灰石、泥灰岩、砂岩、页岩、石膏、煤等原料。

PCX Series High Efficient Hammer Fine Crusher, also be called as Impact High Efficiency Fine Crusher, is suitable for crushing limestone, marlstone, etc, of which the crushing compressive strength does not exceed 200 MPa.

特点和优势 Features and Benefits

1 Advanced technology

2 Uper fine crushing

Reasonable multiple crushing chamber combination, new convenient double adjustment structure, the output size being smaller than 3mm can reach 85%, finished particle size is fine and uniform.

3 Easy maintenance

Convenient inspection and maintenance device, which make hammer adjustment and screen plate become easier.

4 Super long life

Wear-out part adopts new excellent multielement high chromium alloy which ensure abrasive resistance and shock resistance of the liner plate.

5 High efficient Energy Consumption

This series crusher possesses stable operation, low dust, low power consumption.

技术先进

超高细碎

合理的多腔破碎室组合，新型的便捷双调节结构，出料粒度在3mm以下产品达到85%，产品粒度细而均匀。

维修简单

便捷的检修维护装置，使调换锤头、筛板更加便捷。

超长寿命

磨损件均采用新型优质多元素高铬合金耐磨材料制造，保证了锤头，衬板优越的耐磨性和耐冲击性。

高效节能

本系列破碎机运转平稳、低尘、低电耗。

PCX系列高效锤式细碎机

PCX Series High Efficient Hammer Fine Crusher

6 Large crushing ratio

Secondary crushing and tertiary crushing can be integrated as primary crushing, crushing ratio reaches 25-30.

破碎比大

可将二、三级破碎合为一级破碎，破碎比可达25-30。

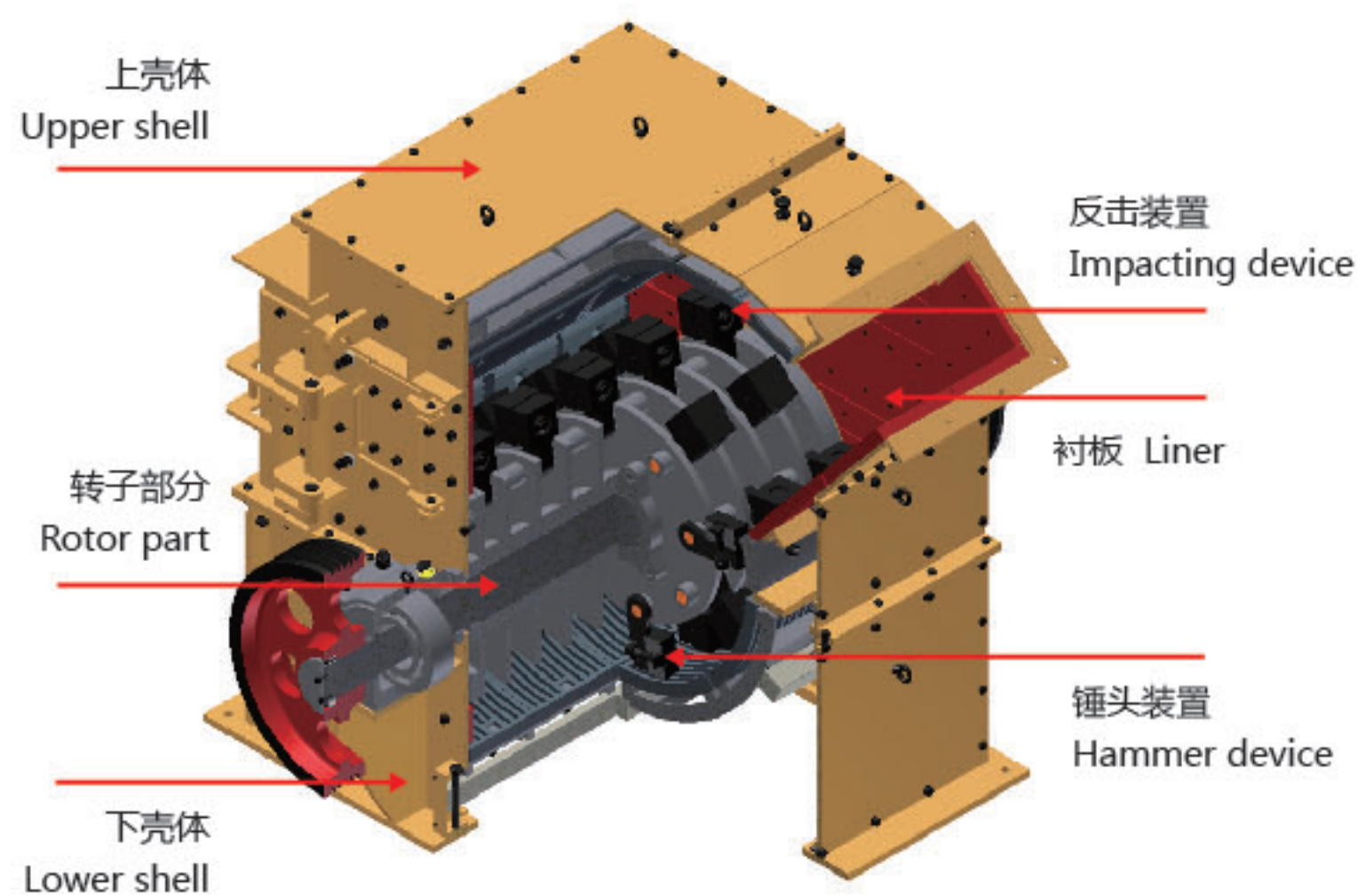
7 Hammer life doubled

High efficient fine crusher hammer can be used for 4 times by turns, hammer life are doubled, largely decrease cost, improve return on investment.

锤头寿命倍增

高效细碎机锤头可以轮换4次使用，锤头寿命倍增，大大节省成本，提高了投资回报。

工作原理 Working Principle



物料从进料斗依次进入腔体内，下落在高速旋转的活动打击锤头上，经过锤头与反击板之间的作用，物料初步破碎在锤击区，物料多次受到高频的反复锤击和反击后下降在中隔板上，形成堆积，产生滑落，落在转子下面的筛板上，又被高速抛到反击板进行碰撞，下落并经移动式锤头强制性反击，破碎，研磨。因此，物料经过其自重下落过程中多次复合粉碎，冲刷研磨，从而实现了超细的效果。

Stones enter cavity from feed hopper, fall on high speed rotated impact hammer head, through effect between hammer head and impact plate, stones are primarily crushed on hammer part, stones fall on median septum after being hammered and impacted frequently, piled up, crept down on the screen plate which is below the rotor, then bethrew to the impact plate for impacting, fall and be impacted mandatorily by mobile hammer head, crushed, grinded. Therefore, stones are crushed multiple times during gravity falling procedure, grinded, thus to realize ultrafine effect.

技术参数 Technical Data

型号 Model	XL508	XL610	XL762	XL915	2XL915	XL1115	2XL1115
螺旋直径 Screw Diameter(mm)	508	610	762	915	915	1115	1115
槽体长度 Length of Tub(mm)	6705	7225	7620	7585	7585	9782	9782
最大入料粒度 Max Feed Size(mm)	≤10	≤10	≤10	≤10	≤10	≤10	≤10
生产能力 Capacity(t/h)	20	40-50	50-75	100	200	175	350
螺旋转速 Speed of Screw(r/min)	38	32	26	21	21	17	17
电机功率 Motor Power(kw)	5.5	7.5	11	11	2×11	15	2×15
耗水量 Water Consumption(t/h)	6-60	6-63	9-63	10-80	20-160	20-150	40-300
外型尺寸 Overall Dimensions (L×W×H)(mm)	8000×2343×1430	8000×2050×1400	8545×2650×3862	8500×2810×3600	8420×3765×3960	10970×3945×4720	10970×5250×4720
重量 Weight(t)	3.20	3.80	5.23	6.27	11.11	10.18	17.94



上海山美环保装备股份有限公司
SHANGHAI SANME MINING MACHINERY CORP., LTD.
(中德合资控股)
(Sino-German JV Holding)



山美股份官方微信

版权所有 翻印必究 中国印制 Printed in China
SANME-37C | PCX | 2020-10 | 5000

地址：上海市奉贤区青村镇奉村路 258 号
邮编：201414
电话：021-5759 1166 5759 1188
传真：021-5756 6188 5820 0089
网址：www.shsmzj.com
电邮：info@sanmecorp.com

Add: No.258, Fengcun Road, Qingcun County, Fengxian District,
Shanghai 201414, China
Tel: +86-21-5712 1166 5759 1188
Fax: +86-21-5756 6188 5820 0089
Website: www.sanmecrusher.com
E-mail: sales@sanmecorp.com

免费热线：400-921-5566
售后专线：021-5712 7766

Free Hotline: 400-921-5566
Service Center: +86-21-5712 7766

- 我们的产品在不断的更新和改进中，我们保留在未事先告知用户的情况下，更改参数及设计的权力。
Our products are constantly updated and improved, we reserve the right to change parameters and design without advance notification of customers.
- 照片中产品外观颜色与实际机型存在差异，颜色标准以实物为准。
If there are any discrepancy and difference between color of product appearance and actual machine type in the picture, color standard is subject to actual object.
- 本手册中的配置不一定是出厂标准配置，购买时请详细咨询我们。
Specifications and design in the brochures are not always the standard. Please consult us particularly when purchasing.